

hydroo®

VKDROO SERIES

VKF

VKX

VKN

Immersion type
multistage
centrifugal pump
60Hz





PRESENTATION

HYDROO has set up a worldwide distribution network together with key partners, providing value to our pump engineers and end users. Ours is a wide range product portfolio with high-end solutions for the pumping business in many applications including water supply, booster sets, fire-fighting sets, borehole wells, HVAC, drainage and sewage, utilities, irrigation, desalination and RO sets, OEM Integration among many others. We provide solutions for all the markets of 50 Hz and 60 Hz, including customized versions.

HYDROO has a factory in Palol de Revardit (Catalonia-Spain) sized to guarantee our reliable, long-term based, personalized treatment and best service to all our customers. We can provide a wide range of products in an extremely short delivery time from our factory, thanks to our Lean manufacturing processes and our qualified enthusiastic team.

We have compiled our commitment with ethics and legislation in relation to third parties in a public document of principles. The document has been worked with the entire Hydroo team and its deployment has been started with a committee that will ensure compliance and strengthening in the business culture of the company.

The expansion of HYDROO by means of excellence in operations and successful business relationship with our partners is symbolized in the growth pace in the target markets and the valuable timely and effective service.

At HYDROO we bet on a high level service to our valued pump partners.

VKF/VKX/ VKN

Immersion type
multistage
centrifugal pump

Applications

Machine tools cooling systems
Industrial washing systems
Chiller units
Industrial filtration systems
Other industrial applications



Description

Non self-priming immersion multistage centrifugal pumps made in Stainless Steel. Standard totally enclosed, fan cooled, insulation class F, IP 55 motors. Single phase motors up to 2,2 kW.

Flexible installation length to meet the requirements of installation depth of the water tank or vessel, by means of cavity bodies.

Standard version can be used for conveying water, cooling water solutions and cutting lubricating liquids. Versions for hot water up to 120°C are also available on request.

Performance range

Capacity: Q up to 55 m³/h

Head: H up to 305 m

Temperature: T up to 120 °C

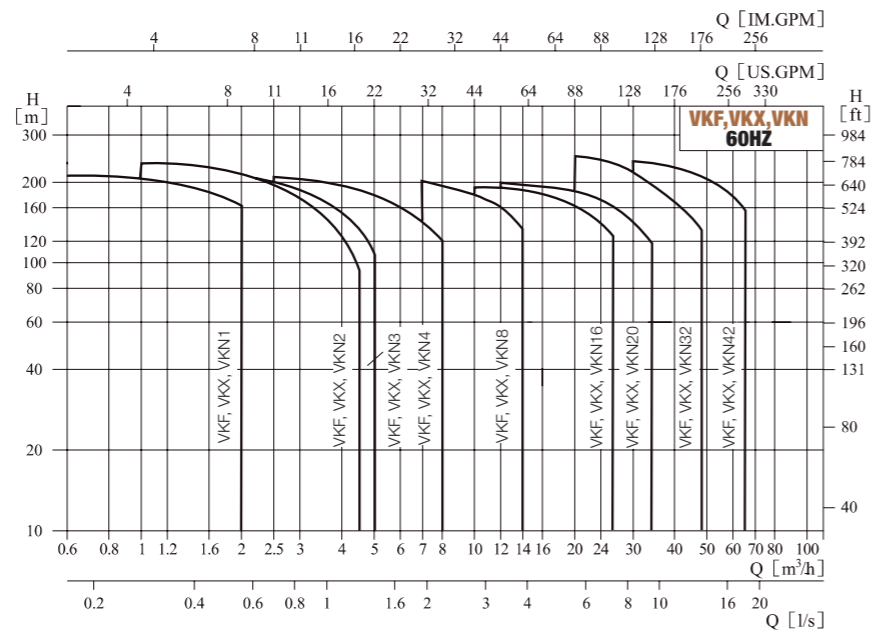
Speed: n 2900/3500 rpm

Power: P up to 45 kW

Standard material

Cast iron, stainless steel 304 or Stainless steel 316 on request.

Performance scope



Pump

VKF, VKX, VKN is non-self priming multi-stage centrifugal pump installed with standard motor. The motor shaft is directly connected with the pump shaft through coupling. According to the requirement, the pump can be equipped with intelligent protector, which effectively protects pump from dry rotation, phase lack, overload etc. In order to meet the requirement of installation depth of the water tank or vessel, it is possible to install cavity body for changing length of the pump. Length for different number of stages is shown in the dimensions & weight table and the table of products supply scope.

Motor

The motor is fully-sealed, air-cooling standard motor 2 poles.

Protection class: IP55

Insulation class: F

Standard voltage: 3x200-230/346/440V
3x220-255/380-440V
3x220-277/380-480V

– Motors for other voltages can be supplied according to the requirement.

– Single phase motors with 0.37-2.2kW are available.

Application

VKF, VKX, VKN is used for conveying cooling liquid, lubricating liquid and condensation water of machine tools, industrial cleaning equipment or other cases that application of immersed pump is suitable, and is applicable to various temperature, flow and pressure ranges. CDLKF is applicable to low-corrosive liquid.

Concretely, it is applicable to electric spark, lathe, grinding machine, processing center, cooling devices, industrial cleaning equipment, filtering system etc.

Operation conditions

Thin, clean non-explosive liquid without solid grains and fibers; can be used for conveying of water, cooling water solution and cutting lubricating liquid.

Liquid temperature:

Normal temperature type: -15°C~+70°C

Warm water type: -15°C~+120°C

Performance curve

1. All curves are based on measured values of 60Hz: constant motor speed 3500rpm/min.

2. The allowable tolerance of the curve complies with 1509906 Annex A.

3. For measurement, air-free water with temperature 20°C and kinematical viscosity 1 mm²/s.

4. The pump application is in reference to performance scope of Heavy line to prevent overheating due to too low flow and motor overload due to too high flow rate etc.

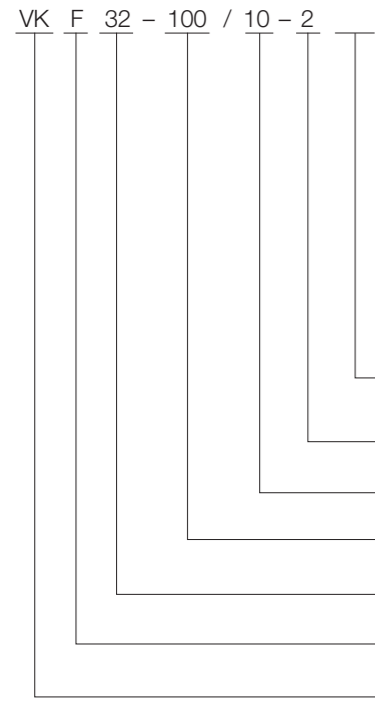
Product range

Description	VK-1	-2	-3	-4	-8	-16	-20	-32	-42
Rated flow [m³/h]	1	2	3	4	8	16	20	32	42
Rated flow [l/s]	0.28	0.56	0.83	1.1	2.2	4.4	5.6	8.9	11.7
Flow range [m³/h]	0.6~2	1~45	1.5~5	2.5~8	7-14	10~26	12~34	20~48	30~65
Flow range [l/s]	0.17~0.56	0.28~1.25	0.42~1.4	0.7~2.2	1.9~3.9	2.8~7.2	3.3~9.4	5.5~13.3	8.3~18
Max. pressure. [bar]	22	23.5	23	21	20	20	20	25	26
Motor power [kW]	0.37~3	0.55~4	0.37~4	0.75~5.5	1.5-11	4~18.5	4~18.5	3~30	5.5~45
Temp. [°C]	-15 ~ +120								
Max. efficiency [%]	44	46	54	57	62	66	69	73	75

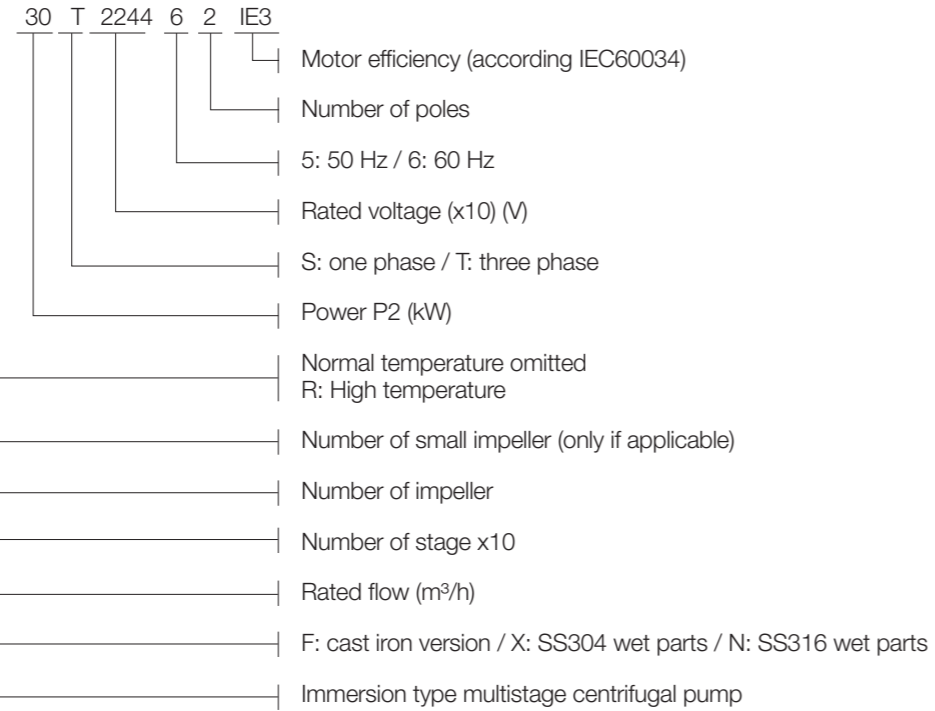
Definition of model

VKF, VKX, VKN 1,2,3,4,8,16,20,32,42

Hydraulic part description



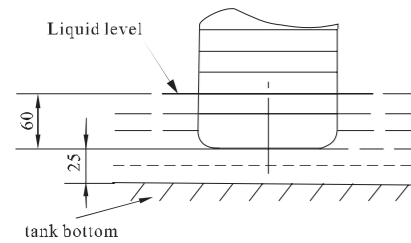
Motor description



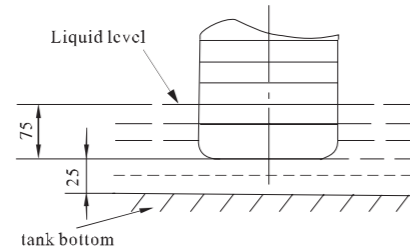
Installation of pump

The dimensions shown in the below drawing are the minimum installation ones:

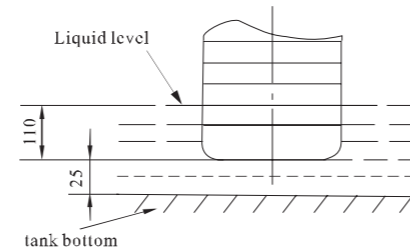
VKF, VKX, VKN 1,2,3,4



VKF, VKX, VKN 8,16,20

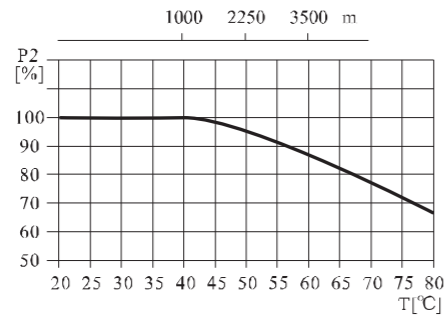


VKF, VKX, VKN 32,42

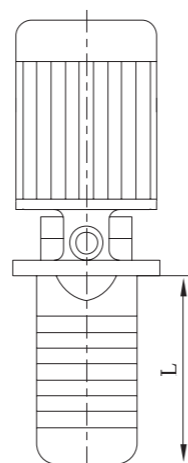


Max. Ambient temperature

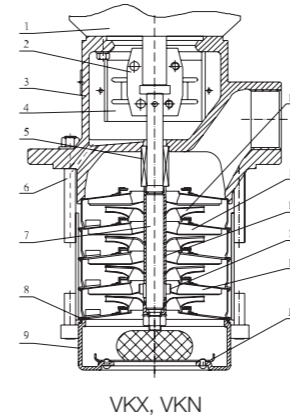
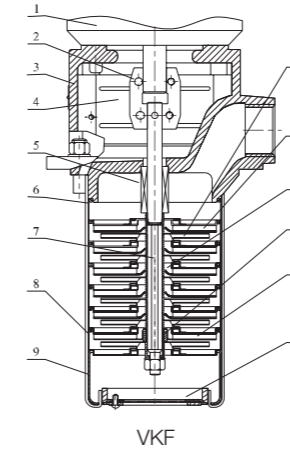
When the pump operates under ambient temperature higher than 40°C or at altitudes higher than 1000m, because of low air density and poor cooling effects, the motor output power P2 will be decreased to certain extent. If the pump is operated under the above-said conditions, it should be equipped with motor of higher power.



Installation sketch



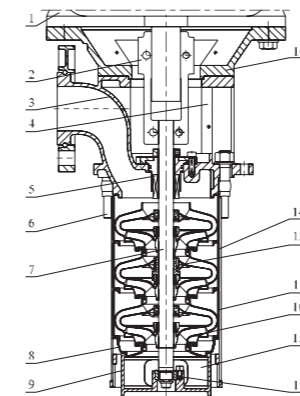
Sectional drawing VKF, VKX, VKN 1,2,3,4,8,16,20



Material VKF, VKX, VKN 1,2,3,4,8,16,20

N°	Name	Material	AISI / ASTM
1	Motor		
2	Coupling	Carbon steel	
4	Coupling guard	Stainless steel	AISI304/ AISI316
5	Mechanical seal		
6	Straps	Stainless steel	AISI304/ AISI316
7	Shaft	Stainless steel	AISI316
8	Inducer	Stainless steel	AISI304/ AISI316
9	Suction head	Stainless steel	AISI304/ AISI316
10	Impeller	Stainless steel	AISI304/ AISI316
11	Diffuser	Stainless steel	AISI304/ AISI316
12	Impeller sleeve	Stainless steel	AISI304/ AISI316
13	Bearing	Tungsten carbide	
14	Support diffuser	Stainless steel	AISI304/ AISI316
15	Strainer	Stainless steel	AISI304/ AISI316
VKF			
3	Pump head	Cast iron	ASTM25B
VKX, VKN			
3	Pump head	Stainless steel	AISI304/ AISI316

Sectional drawing VKF, VKX, VKN 32,42

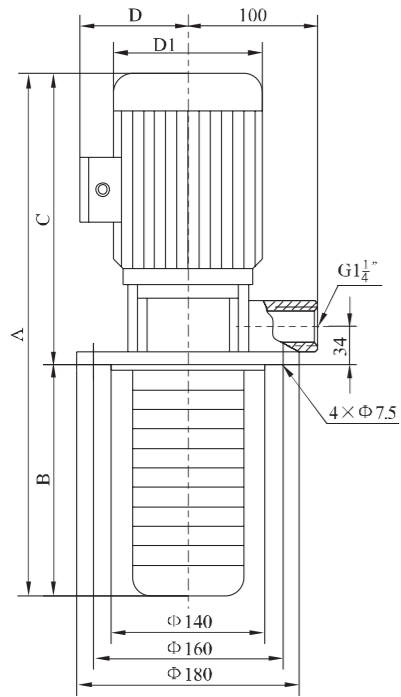


Material VKF, VKX, VKN 32,42

N°	Name	Material	AISI / ASTM
1	Motor		
2	Coupling	Carbon steel	
4	Coupling guard	Stainless steel	AISI304/ AISI316
5	Mechanical seal		
6	Straps	Stainless steel	AISI304/ AISI316
7	Shaft	Stainless steel	AISI316 AISI304 AISI431
8	Inducer	Stainless steel	AISI304/ AISI316
9	Suction head	Stainless steel	AISI304/ AISI316
10	Impeller	Stainless steel	AISI304/ AISI316
11	Diffuser	Stainless steel	AISI304/ AISI316
13	Bearing	Tungsten carbide	
14	Support diffuser	Stainless steel	AISI304/ AISI316
15	Strainer	Stainless steel	AISI304/ AISI316
16	Crossover flange	Cast iron	ASTM25B
17	Bottom bearing	Tungsten carbide	
VKF			
3	Pump head	Cast iron	ASTM25B
VKX, VKN			
3	Pump head	Stainless steel	AISI304/ AISI316

VKF, VKX, VKN 1

Installation sketch



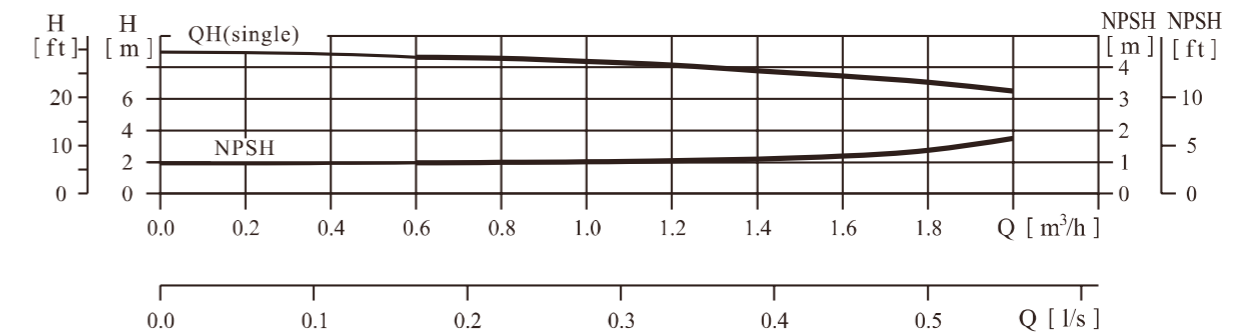
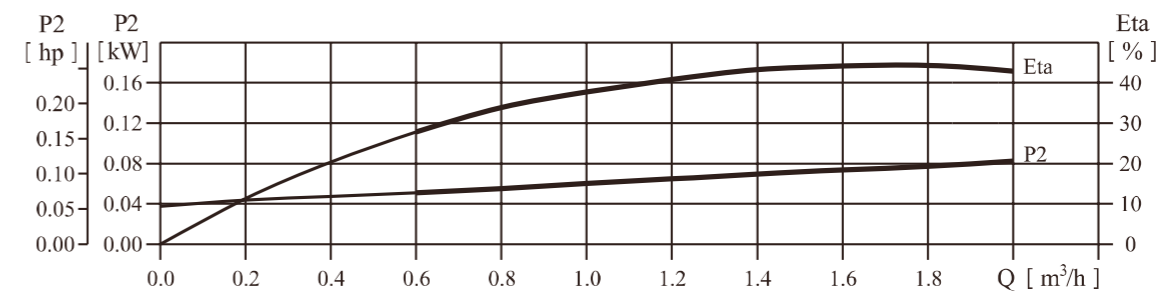
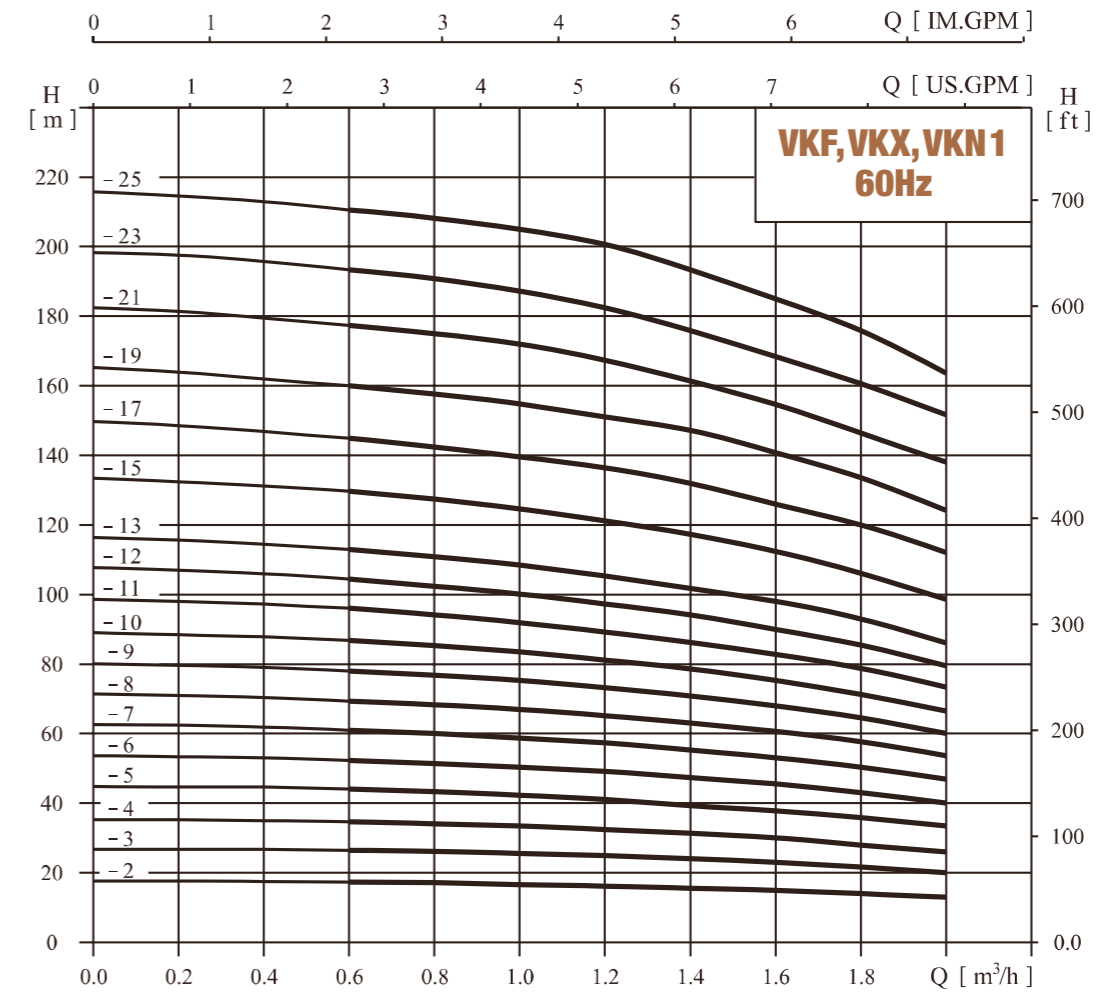
Size and weight

Model	Pump and motor dimensions					Weight (kg)
	A	B	C	D	D1	
VKF, VKX, VKN-1-20/2	453	123	330	117	148	15
VKF, VKX, VKN-1-30/3	471	141	330	117	148	15
VKF, VKX, VKN-1-40/4	489	159	330	117	148	15
VKF, VKX, VKN-1-50/5	507	177	330	117	148	16
VKF, VKX, VKN-1-60/6	525	195	330	117	148	16
VKF, VKX, VKN-1-70/7	571	213	358	142	170	19
VKF, VKX, VKN-1-80/8	589	231	358	142	170	19
VKF, VKX, VKN-1-90/9	607	249	358	142	170	20
VKF, VKX, VKN-1-100/10	625	267	358	142	170	22
VKF, VKX, VKN-1-110/11	643	285	358	142	170	22
VKF, VKX, VKN-1-120/12	661	303	358	142	170	24
VKF, VKX, VKN-1-130/13	679	321	358	142	170	24
VKF, VKX, VKN-1-150/15	770	357	413	155	190	29
VKF, VKX, VKN-1-170/17	806	393	413	155	190	29
VKF, VKX, VKN-1-190/19	842	429	413	155	190	33
VKF, VKX, VKN-1-210/21	878	465	413	155	190	33
VKF, VKX, VKN-1-230/23	914	501	413	155	190	33
VKF, VKX, VKN-1-250/25	1015	537	478	165	197	40

Performance table

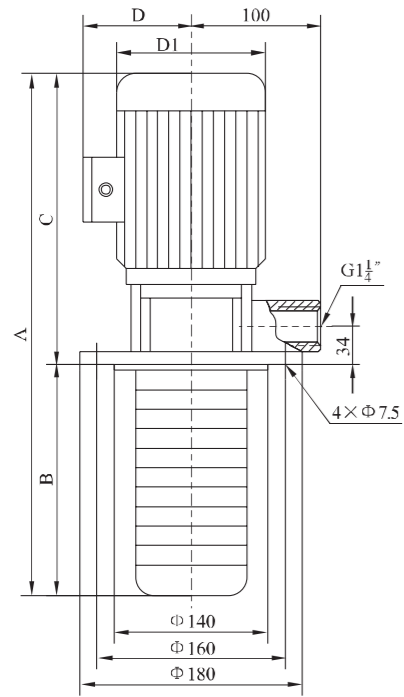
Model	Motor		Q (m³/h)	H (m)																	
	(kW)	(hp)		0.6	0.8	1.0	1.2	1.4	1.6	1.8	2.0										
VKF, VKX, VKN-1-20/2	0.37	0.5	17.5	17	16.5	16	15.5	15	14	13											
VKF, VKX, VKN-1-30/3	0.37	0.5	26.5	26	25	24	23	22	21	20											
VKF, VKX, VKN-1-40/4	0.37	0.5	35	34	33	32	31	30	28	26											
VKF, VKX, VKN-1-50/5	0.55	0.75	43	42	41	40	39	38	35	33											
VKF, VKX, VKN-1-60/6	0.55	0.75	52	51	50	48	47	45	43	39											
VKF, VKX, VKN-1-70/7	0.75	1	60	59	58	56	55	52	50	46											
VKF, VKX, VKN-1-80/8	0.75	1	68	67	65	64	62	59	57	53											
VKF, VKX, VKN-1-90/9	0.75	1	76	75	74	73	71	66	64	60											
VKF, VKX, VKN-1-100/10	1.1	1.5	85	84	83	81	78	74	72	67											
VKF, VKX, VKN-1-110/11	1.1	1.5	95	93	90	87	85	81	78	73											
VKF, VKX, VKN-1-120/12	1.1	1.5	103	102	98	96	92	88	86	79											
VKF, VKX, VKN-1-130/13	1.1	1.5	112	110	107	105	100	95	93	86											
VKF, VKX, VKN-1-150/15	1.5	2	127	125	123	121	117	112	107	99											
VKF, VKX, VKN-1-170/17	1.5	2	144	141	139	137	132	124	120	112											
VKF, VKX, VKN-1-190/19	2.2	3	160	157	155	153	147	141	134	124											
VKF, VKX, VKN-1-210/21	2.2	3	177	174	172	168	162	153	147	138											
VKF, VKX, VKN-1-230/23	2.2	3	193	190	188	184	174	167	161	152											
VKF, VKX, VKN-1-250/25	3	4	210	207	205	202	192	184	176	164											

Performance curve ISO9906:2012 Grade 3B



VKF, VKX, VKN2

Installation sketch



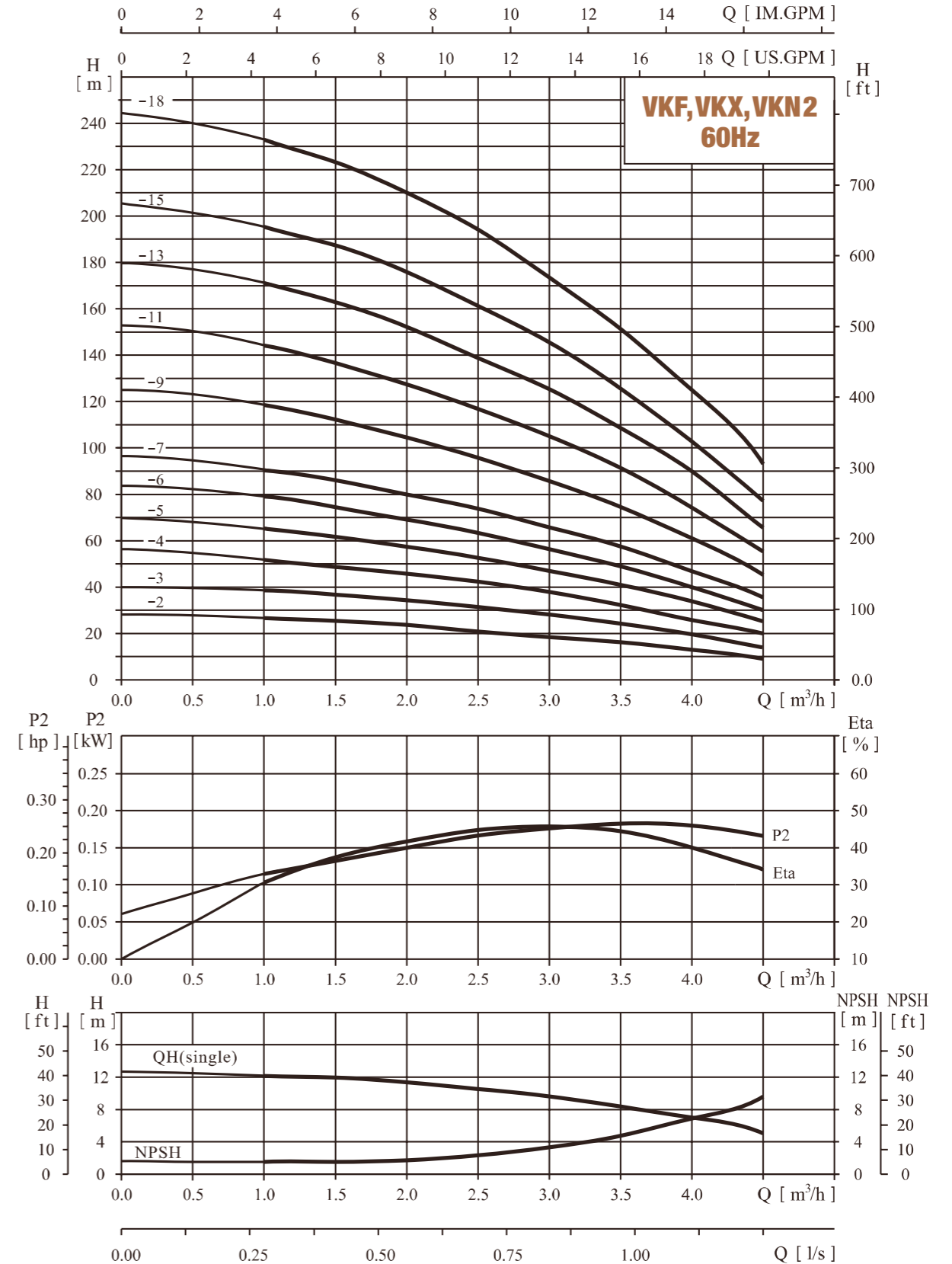
Size and weight

Model	Pump and motor dimensions					Weight (kg)
	A	B	C	D	D1	
VKF, VKX, VKN-2-20/2	453	123	330	117	148	15
VKF, VKX, VKN-2-30/3	499	141	358	142	170	18
VKF, VKX, VKN-2-40/4	517	159	358	142	170	20
VKF, VKX, VKN-2-50/5	535	177	358	142	170	20
VKF, VKX, VKN-2-60/6	553	195	358	142	170	22
VKF, VKX, VKN-2-70/7	626	213	413	155	190	27
VKF, VKX, VKN-2-90/9	662	249	413	155	190	31
VKF, VKX, VKN-2-110/11	698	285	413	155	190	31
VKF, VKX, VKN-2-130/13	799	321	478	165	197	37
VKF, VKX, VKN-2-150/15	835	357	478	165	197	37
VKF, VKX, VKN-2-180/18	899	411	488	185	230	42

Performance table

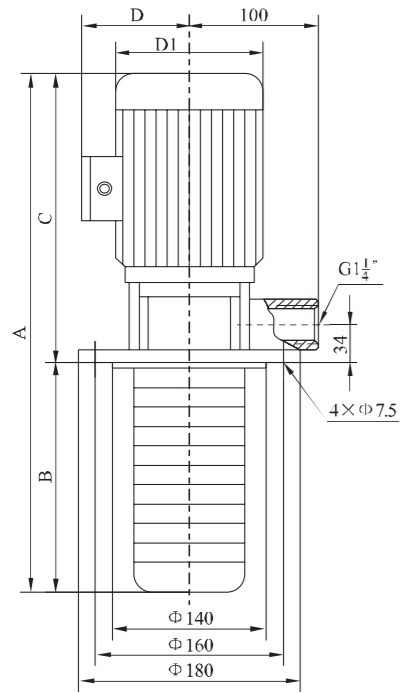
Model	Motor		Q (m³/h)	H (m)							
	(kW)	(hp)		1.0	1.5	2.0	2.5	3.0	3.5	4.0	4.5
VKF, VKX, VKN-2-20/2	0.55	0.75		26	24	22	21	18	16	12	9
VKF, VKX, VKN-2-30/3	0.75	1		39	36	33	31	27	24	19	15
VKF, VKX, VKN-2-40/4	1.1	1.5		52	48	45	42	36	32	26	20
VKF, VKX, VKN-2-50/5	1.1	1.5		65	60	57	52	46	41	32	25
VKF, VKX, VKN-2-60/6	1.1	1.5		78	74	69	63	56	49	40	30
VKF, VKX, VKN-2-70/7	1.5	2		91	86	81	74	66	57	47	35
VKF, VKX, VKN-2-90/9	2.2	3		117	111	104	95	86	75	61	45
VKF, VKX, VKN-2-110/11	2.2	3		143	136	128	116	104	90	75	56
VKF, VKX, VKN-2-130/13	3	4		171	163	152	139	126	108	90	66
VKF, VKX, VKN-2-150/15	3	4		195	186	176	160	142	125	103	77
VKF, VKX, VKN-2-180/18	4	5.5		234	228	212	195	171	151	126	94

Performance curve ISO9906:2012 Grade 3B



VKF, VKX, VKN3

Installation sketch



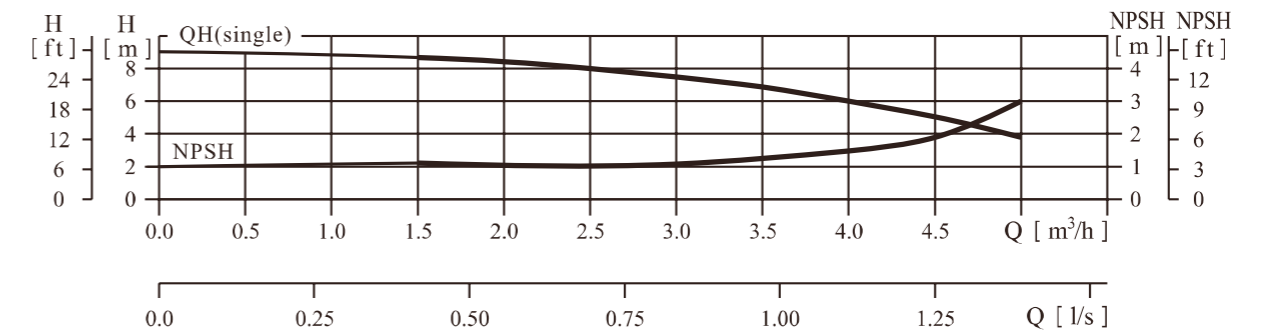
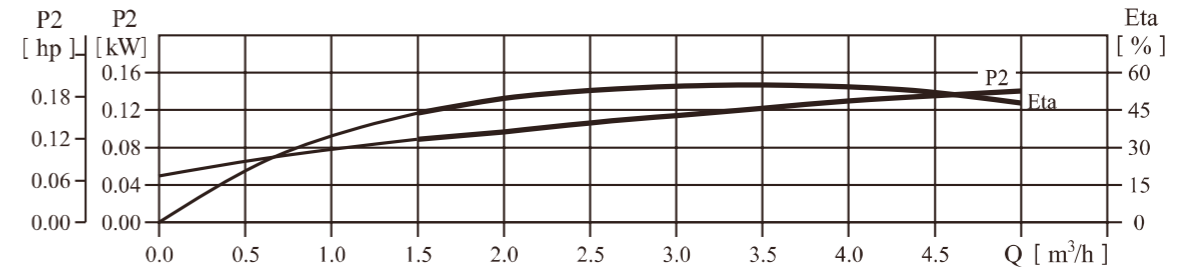
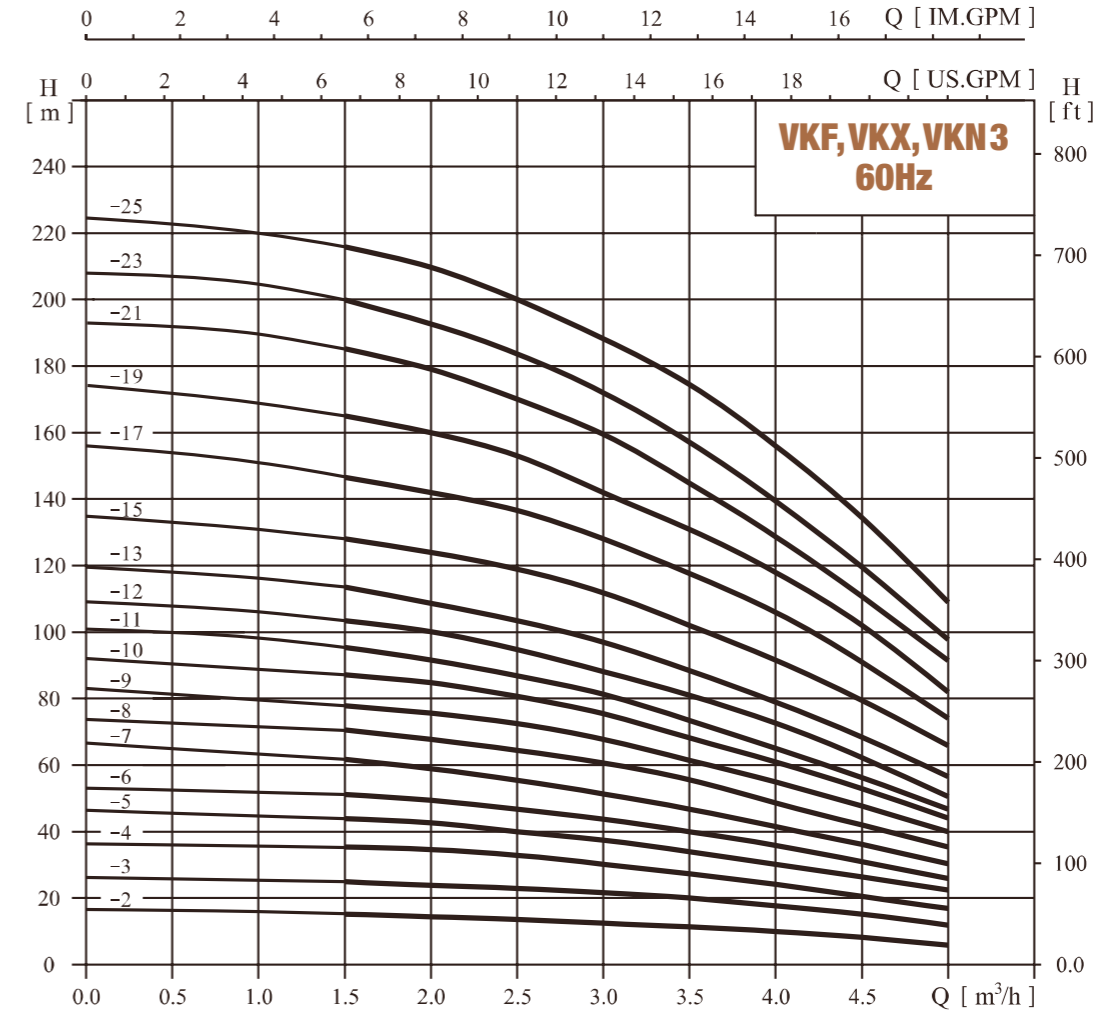
Size and weight

Model	Pump and motor dimensions					Weight (kg)
	A	B	C	D	D1	
VKF, VKX, VKN-3-20/2	453	123	330	117	148	15
VKF, VKX, VKN-3-30/3	471	141	330	117	148	15
VKF, VKX, VKN-3-40/4	489	159	330	117	148	15
VKF, VKX, VKN-3-50/5	535	177	358	142	170	19
VKF, VKX, VKN-3-60/6	557	195	358	142	170	21
VKF, VKX, VKN-3-70/7	571	213	358	142	170	22
VKF, VKX, VKN-3-80/8	589	231	358	142	170	22
VKF, VKX, VKN-3-90/9	662	249	413	155	190	27
VKF, VKX, VKN-3-100/10	680	267	413	155	190	28
VKF, VKX, VKN-3-110/11	698	285	413	155	190	28
VKF, VKX, VKN-3-120/12	716	303	413	155	190	31
VKF, VKX, VKN-3-130/13	734	321	413	155	190	31
VKF, VKX, VKN-3-150/15	770	357	413	155	190	32
VKF, VKX, VKN-3-170/17	806	393	413	155	190	32
VKF, VKX, VKN-3-190/19	907	429	478	165	197	37
VKF, VKX, VKN-3-210/21	943	465	478	165	197	38
VKF, VKX, VKN-3-230/23	979	501	478	165	197	38
VKF, VKX, VKN-3-250/25	1025	537	478	185	230	44

Performance table

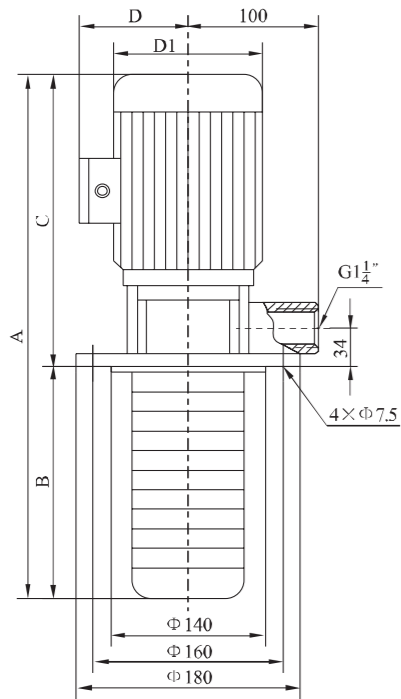
Model	Motor		Q (m³/h)	H (m)																
	(kW)	(hp)		1.5	2.0	2.5	3.0	3.5	4.0	4.5	5.0									
VKF, VKX, VKN-3-20/2	0.37	0.5	17.5	16	15	14	13	11	9	8										
VKF, VKX, VKN-3-30/3	0.55	0.75	26.5	25	24	23	20	18	15	12										
VKF, VKX, VKN-3-40/4	0.55	0.75	35	34	32	30	27	25	20	17										
VKF, VKX, VKN-3-50/5	0.75	1	44	42	40	38	33	31	26	23										
VKF, VKX, VKN-3-60/6	1.1	1.5	51	50	48	45	40	37	32	27										
VKF, VKX, VKN-3-70/7	1.1	1.5	61	59	56	52	46	43	38	31										
VKF, VKX, VKN-3-80/8	1.1	1.5	70	67	64	61	53	49	44	35										
VKF, VKX, VKN-3-90/9	1.5	2	78	77	72	68	60	56	50	40										
VKF, VKX, VKN-3-100/10	1.5	2	87	84	81	76	68	63	55	44										
VKF, VKX, VKN-3-110/11	1.5	2	96	92	87	82	74	69	59	48										
VKF, VKX, VKN-3-120/12	2.2	3	104	100	96	90	79	73	63	52										
VKF, VKX, VKN-3-130/13	2.2	3	112	109	104	98	86	80	69	57										
VKF, VKX, VKN-3-150/15	2.2	3	129	126	120	112	99	93	81	65										
VKF, VKX, VKN-3-170/17	2.2	3	147	143	137	128	114	106	91	74										
VKF, VKX, VKN-3-190/19	3	4	165	160	153	142	126	118	102	82										
VKF, VKX, VKN-3-210/21	3	4	183	178	170	160	141	129	112	91										
VKF, VKX, VKN-3-230/23	3	4	200	194	185	174	154	142	122	98										
VKF, VKX, VKN-3-250/25	4	5.5	217	211	202	187	167	154	134	108										

Performance curve ISO9906:2012 Grade 3B



VKF, VKX, VKN4

Installation sketch



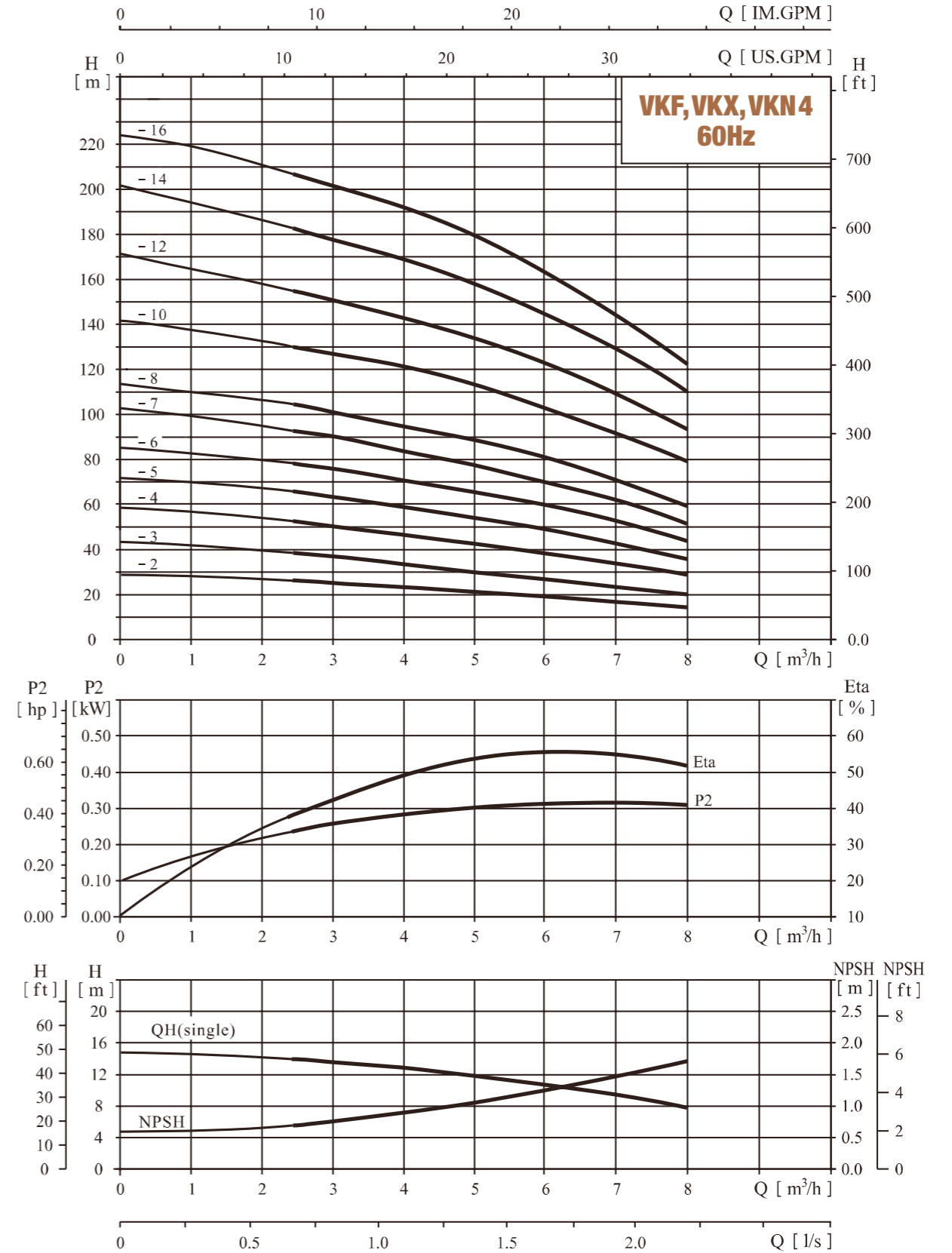
Size and weight

Model	Pump and motor dimensions					Weight (kg)
	A	B	C	D	D1	
VKF, VKX, VKN-4-20/2	506	148	358	142	170	15
VKF, VKX, VKN-4-30/3	533	175	358	142	170	18
VKF, VKX, VKN-4-40/4	615	202	413	155	190	23
VKF, VKX, VKN-4-50/5	642	229	413	155	190	27
VKF, VKX, VKN-4-60/6	669	256	413	155	190	27
VKF, VKX, VKN-4-70/7	761	283	478	165	197	33
VKF, VKX, VKN-4-80/8	788	310	478	165	197	33
VKF, VKX, VKN-4-100/10	852	364	488	185	230	38
VKF, VKX, VKN-4-120/12	906	418	488	185	230	38
VKF, VKX, VKN-4-140/14	1015	472	543	210	260	63
VKF, VKX, VKN-4-160/16	1069	526	543	210	260	63

Performance table

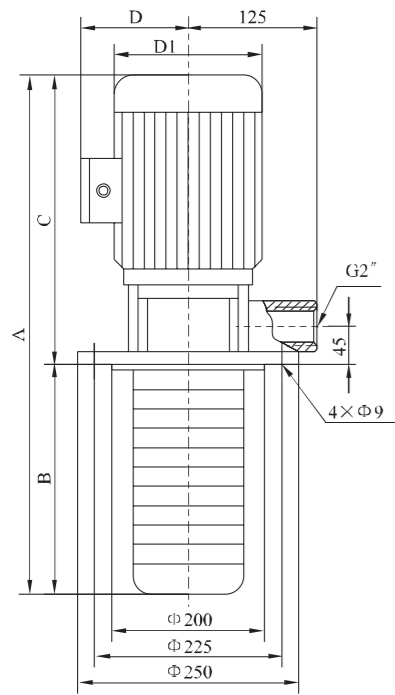
Model	Motor		Q (m³/h)	H (m)							
	(kW)	(hp)		2.5	3.0	4.0	5.0	6.0	7.0	8.0	
VKF, VKX, VKN-4-20/2	0.75	1	26	25	23	21	19	16	14		
VKF, VKX, VKN-4-30/3	1.1	1.5	39	38	36	32	28	24	21		
VKF, VKX, VKN-4-40/4	1.5	2	52	50	48	44	38	35	31		
VKF, VKX, VKN-4-50/5	2.2	3	65	62	60	55	49	44	39		
VKF, VKX, VKN-4-60/6	2.2	3	78	75	72	67	59	54	47		
VKF, VKX, VKN-4-70/7	3	4	92	88	84	78	69	62	55		
VKF, VKX, VKN-4-80/8	3	4	104	100	95	90	79	72	63		
VKF, VKX, VKN-4-100/10	4	5.5	130	125	120	113	102	90	80		
VKF, VKX, VKN-4-120/12	4	5.5	156	150	145	136	122	109	96		
VKF, VKX, VKN-4-140/14	5.5	7.5	182	176	170	159	145	129	112		
VKF, VKX, VKN-4-160/16	5.5	7.5	207	201	196	183	165	146	128		

Performance curve ISO9906:2012 Grade 3B



VKF, VKX, VKN8

Installation sketch



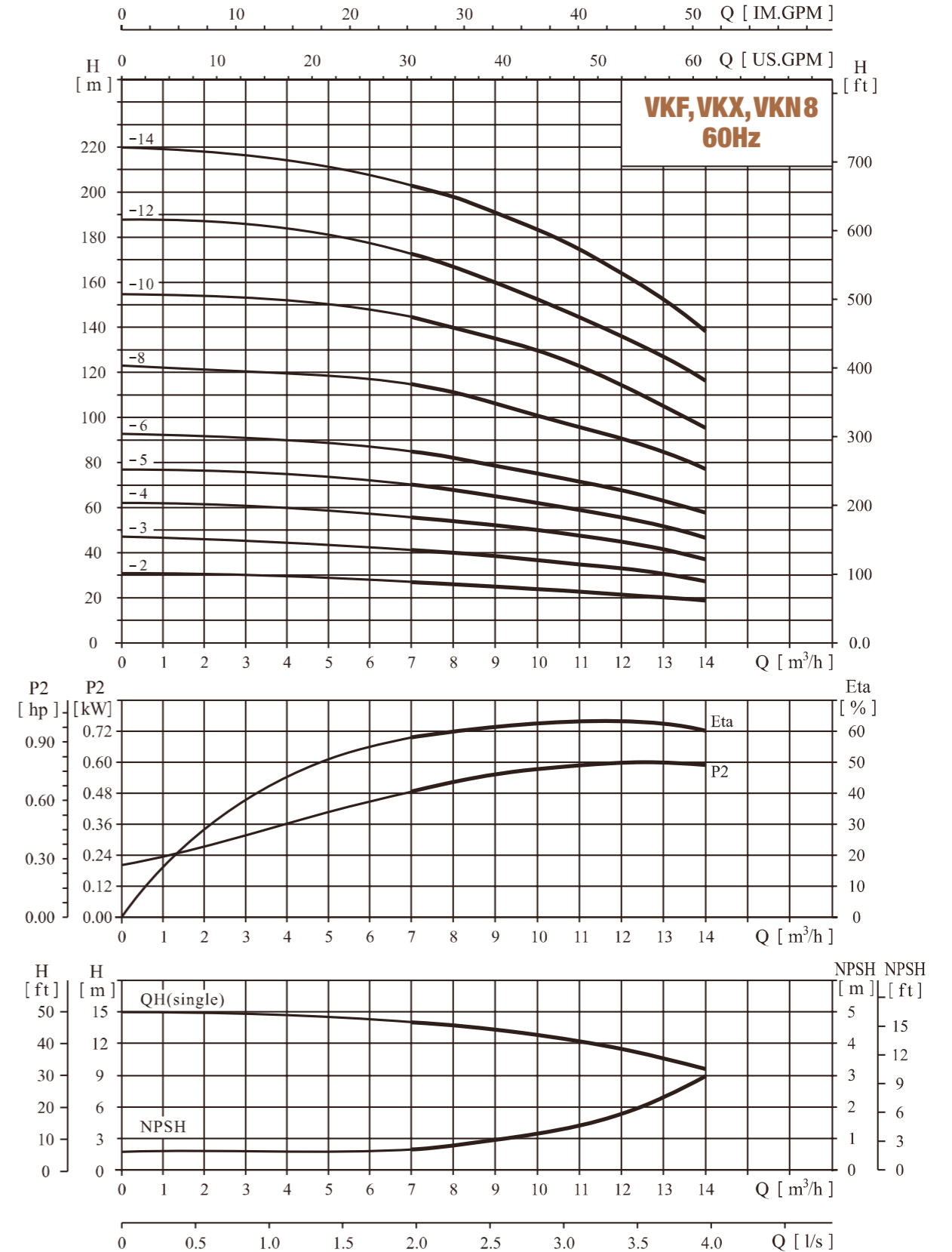
Size and weight

Model	Pump and motor dimensions					Weight (kg)
	A	B	C	D	D1	
VKF, VKX, VKN-8-20/2	569	150	419	155	190	32
VKF, VKX, VKN-8-30/3	599	180	419	155	190	37
VKF, VKX, VKN-8-40/4	694	210	484	165	197	45
VKF, VKX, VKN-8-50/5	724	240	484	165	197	47
VKF, VKX, VKN-8-60/6	764	270	494	185	230	52
VKF, VKX, VKN-8-80/8	879	330	549	210	260	72
VKF, VKX, VKN-8-100/10	939	390	549	210	260	78
VKF, VKX, VKN-8-120/12	999	450	549	210	260	80
VKF, VKX, VKN-8-140/14	1210	510	700	255	330	135

Performance table

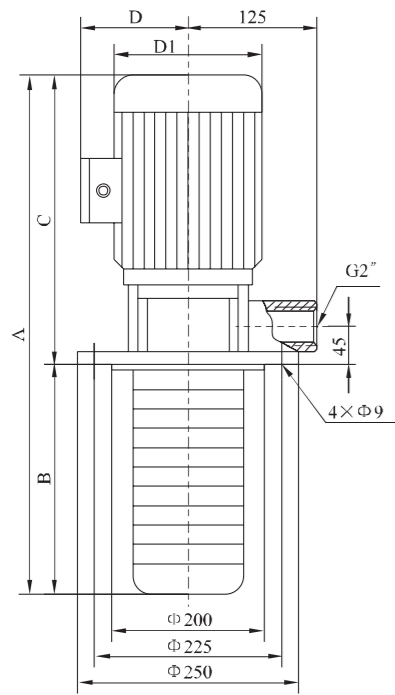
Model	Motor		Q (m³/h)	7	8	9	10	11	12	13	14
	(kW)	(hp)									
VKF, VKX, VKN-8-20/2	1.5	2	H (m)	27	26	25	24	23	22	20	18
VKF, VKX, VKN-8-30/3	2.2	3		41	40	38	37	35	33	30	28
VKF, VKX, VKN-8-40/4	3	4		55	54	52	50	47	45	41	38
VKF, VKX, VKN-8-50/5	3	4		70	68	65	63	59	56	52	47
VKF, VKX, VKN-8-60/6	4	5.5		85	82	78	76	72	68	62	57
VKF, VKX, VKN-8-80/8	5.5	7.5		115	110	105	101	97	91	84	75
VKF, VKX, VKN-8-100/10	7.5	10		145	140	132	126	122	115	105	95
VKF, VKX, VKN-8-120/12	7.5	10		173	167	160	152	147	132	125	115
VKF, VKX, VKN-8-140/14	11	15		202	195	188	179	174	163	147	135

Performance curve ISO9906:2012 Grade 3B



VKF, VKX, VKN 16

Installation sketch



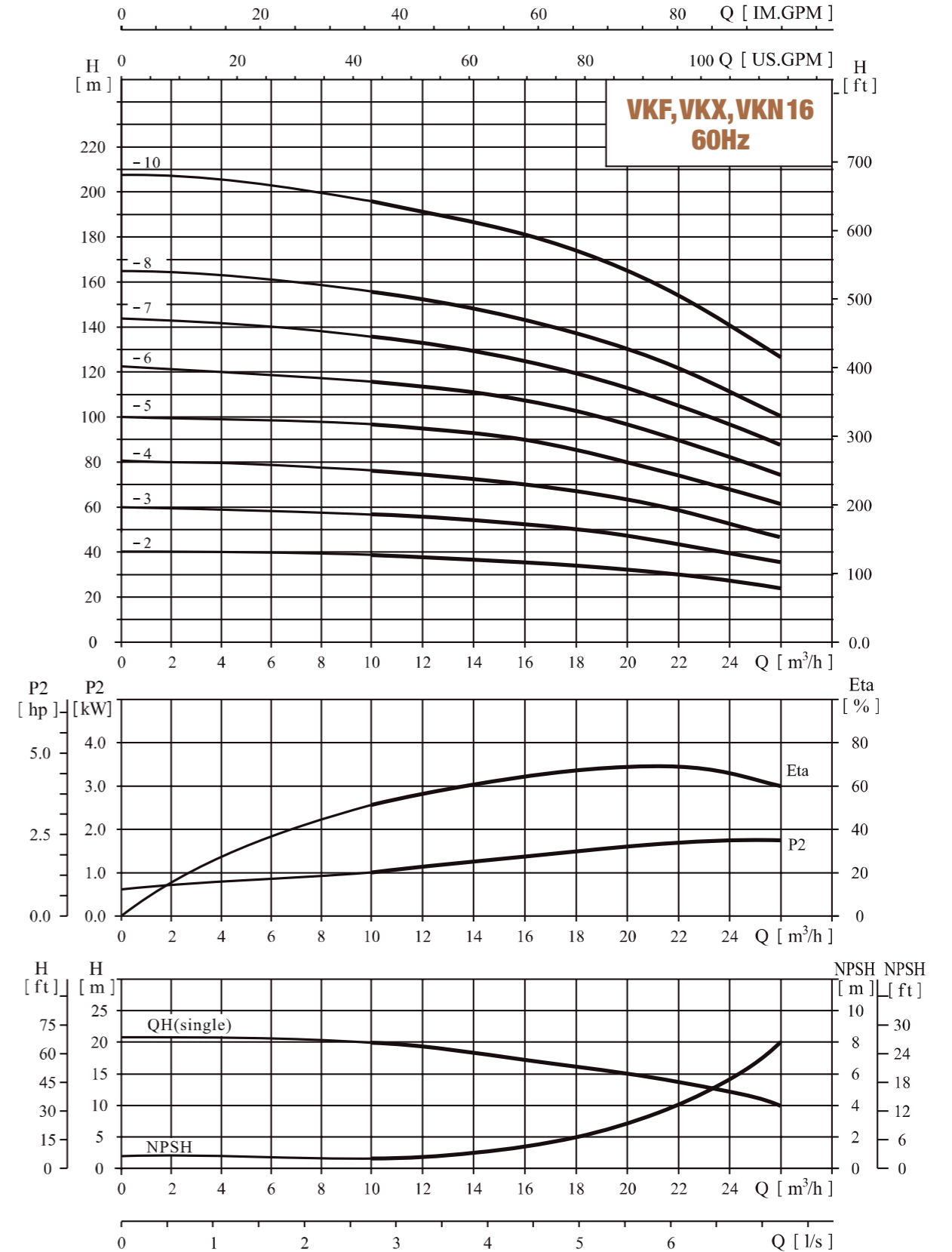
Size and weight

Model	Pump and motor dimensions					Weight (kg)
	A	B	C	D	D1	
VKF, VKX, VKN-16-20/2	674	180	494	185	230	50
VKF, VKX, VKN-16-30/3	774	225	549	210	260	65
VKF, VKX, VKN-16-40/4	819	270	549	210	260	75
VKF, VKX, VKN-16-50/5	1015	315	700	255	330	130
VKF, VKX, VKN-16-60/6	1060	360	700	255	330	132
VKF, VKX, VKN-16-70/7	1105	405	700	255	330	140
VKF, VKX, VKN-16-80/8	1150	450	700	255	330	140
VKF, VKX, VKN-16-100/10	1290	540	750	255	330	150

Performance table

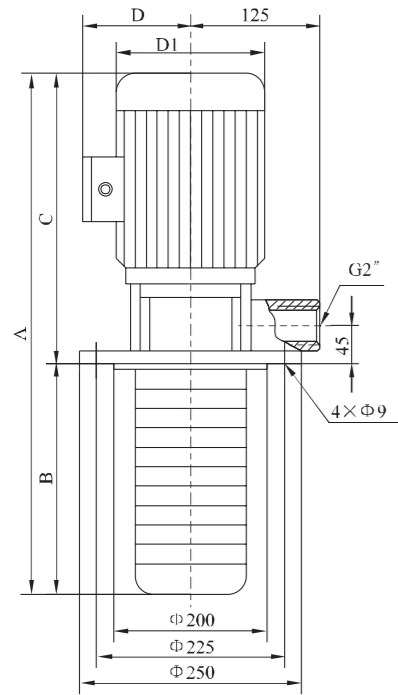
Model	Motor		Q (m³/h)	H (m)										
	(kW)	(hp)		10	12	14	16	18	20	22	24	26		
VKF, VKX, VKN-16-20/2	4	5.5	H (m)	38	37	36	35	34	32	30	27	24		
VKF, VKX, VKN-16-30/3	5.5	7.5		57	56	55	54	51	48	45	40	36		
VKF, VKX, VKN-16-40/4	7.5	10		76	75	73	72	68	64	60	54	49		
VKF, VKX, VKN-16-50/5	11	15		96	94	92	90	85	80	75	68	62		
VKF, VKX, VKN-16-60/6	11	15		115	113	111	108	102	96	91	82	75		
VKF, VKX, VKN-16-70/7	15	20		135	132	129	126	119	113	106	96	88		
VKF, VKX, VKN-16-80/8	15	20		155	152	148	144	137	130	122	111	101		
VKF, VKX, VKN-16-100/10	18.5	25		197	192	187	181	174	165	153	139	127		

Performance curve ISO9906:2012 Grade 3B



VKF, VKX, VKN 20

Installation sketch



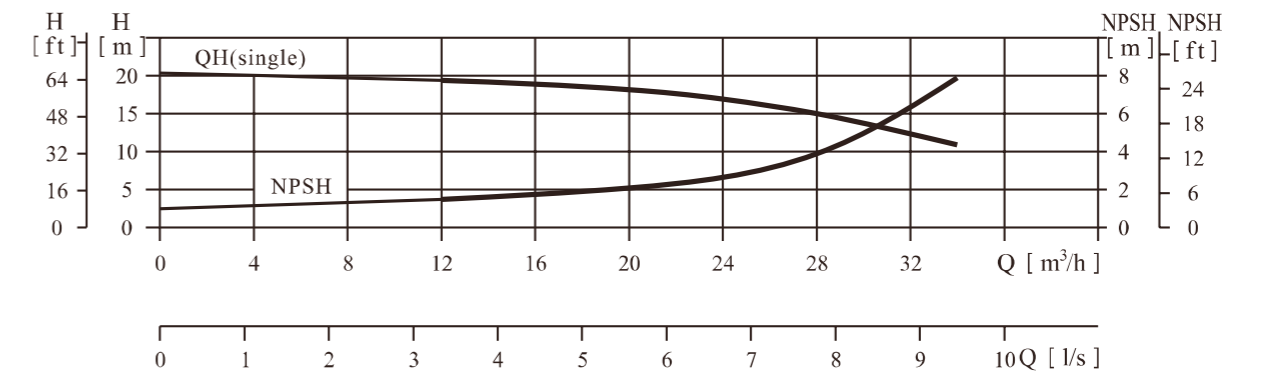
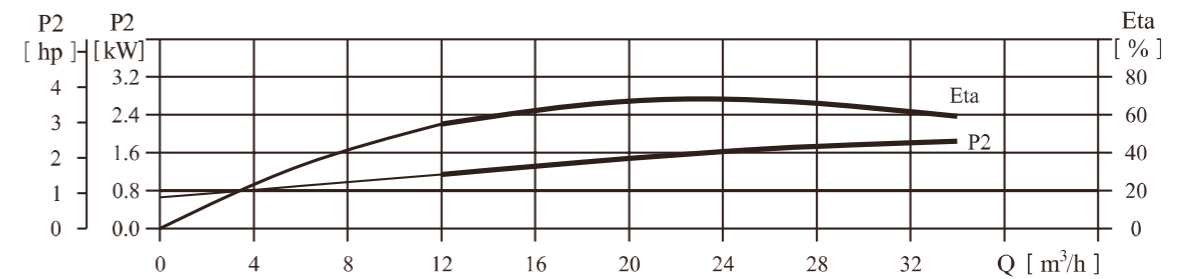
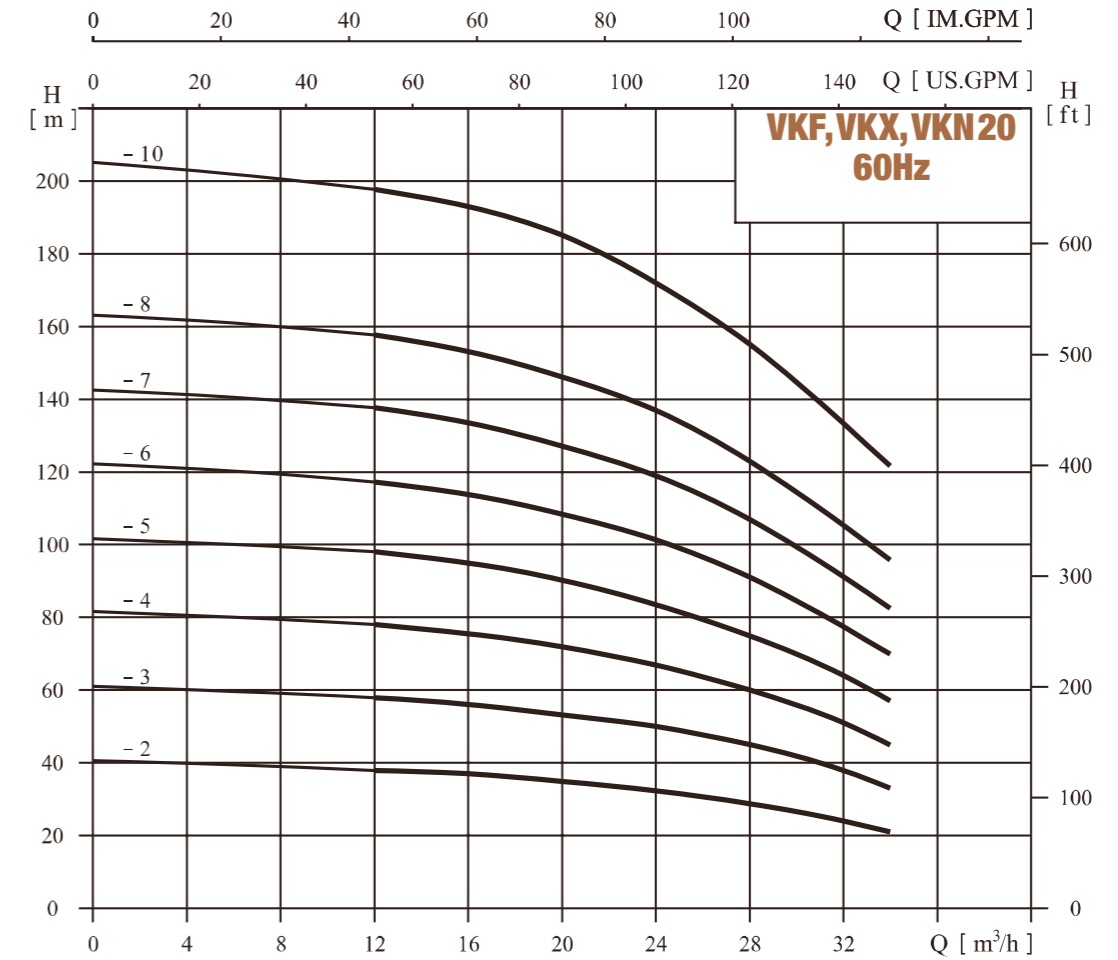
Size and weight

Model	Pump and motor dimensions					Weight (kg)
	A	B	C	D	D1	
VKF, VKX, VKN-20-20/2	674	180	494	185	230	50
VKF, VKX, VKN-20-30/3	774	225	549	210	260	65
VKF, VKX, VKN-20-40/4	819	270	549	210	260	75
VKF, VKX, VKN-20-50/5	1015	315	700	255	330	130
VKF, VKX, VKN-20-60/6	1060	360	700	255	330	132
VKF, VKX, VKN-20-70/7	1105	405	700	255	330	140
VKF, VKX, VKN-20-80/8	1150	450	700	255	330	140
VKF, VKX, VKN-20-100/10	1290	540	750	255	330	150

Performance table

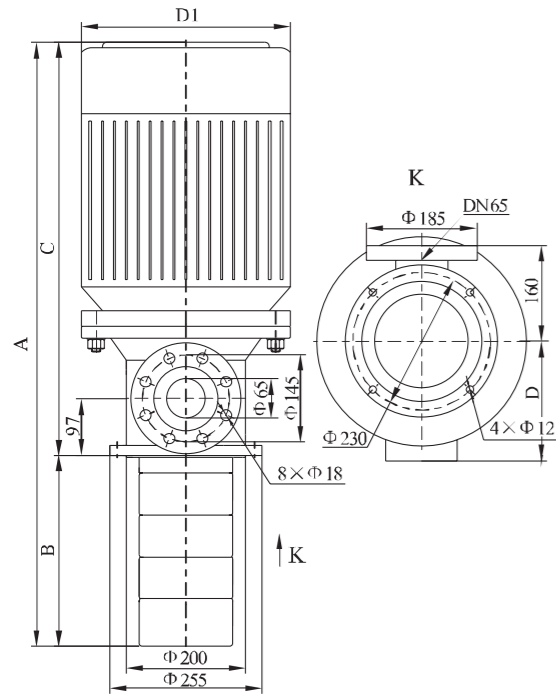
Model	Motor		Q (m³/h)	H (m)						
	(kW)	(hp)		12	16	20	24	28	32	34
VKF, VKX, VKN-20-20/2	4	5.5	H (m)	38	37	35	32	29	24	21
VKF, VKX, VKN-20-30/3	5.5	7.5		58	56	53	50	45	38	33
VKF, VKX, VKN-20-40/4	7.5	10		78	75	72	67	60	51	45
VKF, VKX, VKN-20-50/5	11	15		98	94	90	85	75	64	57
VKF, VKX, VKN-20-60/6	11	15		118	113	108	102	91	77	70
VKF, VKX, VKN-20-70/7	15	20		138	133	127	119	107	91	83
VKF, VKX, VKN-20-80/8	15	20		158	153	146	137	123	105	96
VKF, VKX, VKN-20-100/10	18.5	25		198	193	185	172	155	133	122

Performance curve ISO9906:2012 Grade 3B



VKF, VKX, VKN32

Installation sketch



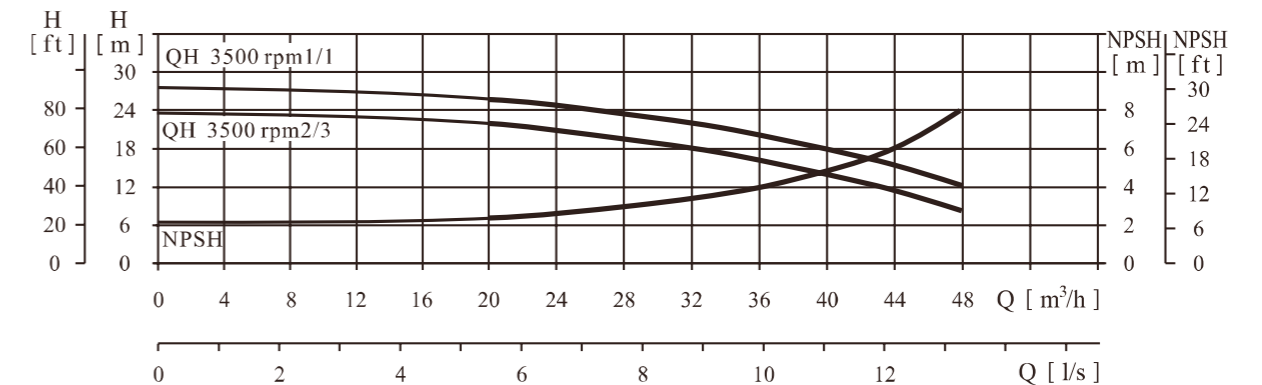
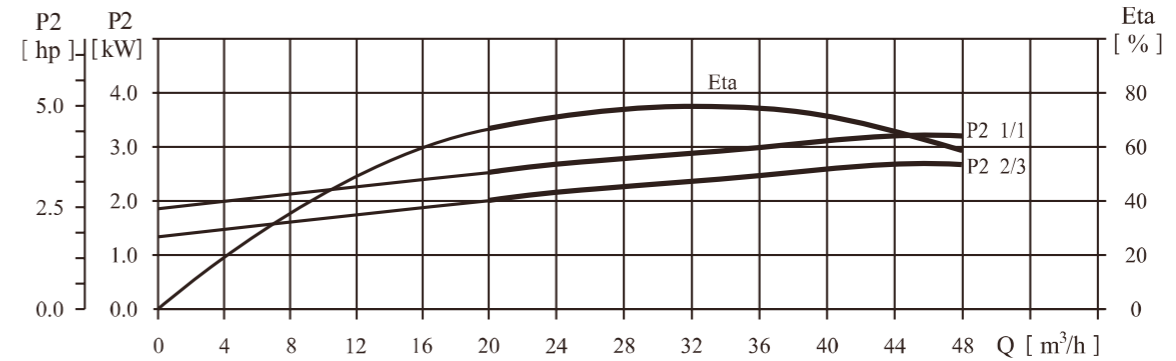
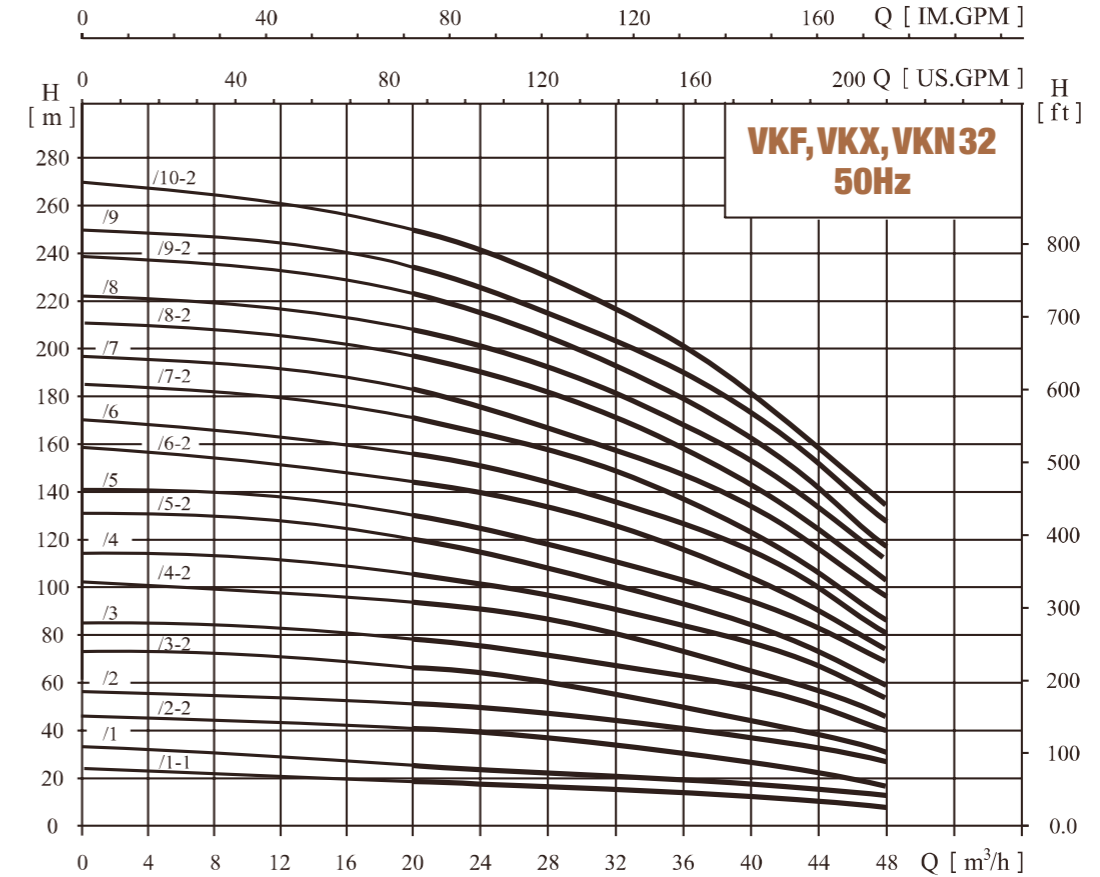
Size and weight

Model	Pump and motor dimensions					Weight (kg)
	A	B	C	D	D1	
VKF, VKX, VKN-32-10/1-1	676	186	490	165	197	65
VKF, VKX, VKN-32-10/1	686	186	500	185	230	75
VKF, VKX, VKN-32-20/2-2	811	256	555	210	260	85
VKF, VKX, VKN-32-20/2	811	256	555	210	260	95
VKF, VKX, VKN-32-30/3-2	881	326	555	210	260	100
VKF, VKX, VKN-32-30/3	1044	326	718	255	330	150
VKF, VKX, VKN-32-40/4-2	1144	396	718	255	330	155
VKF, VKX, VKN-32-40/4	1144	396	718	255	330	185
VKF, VKX, VKN-32-50/5-2	1184	466	718	255	330	195
VKF, VKX, VKN-32-50/5	1174	466	768	255	330	215
VKF, VKX, VKN-32-60/6-2	1304	536	768	255	330	225
VKF, VKX, VKN-32-60/6	1304	536	768	255	330	225
VKF, VKX, VKN-32-70/7-2	1399	606	793	285	360	260
VKF, VKX, VKN-32-70/7	1399	606	793	285	360	260
VKF, VKX, VKN-32-80/8-2	1469	676	793	285	330	265
VKF, VKX, VKN-32-80/8	1544	676	868	310	400	305
VKF, VKX, VKN-32-90/9-2	1614	746	868	310	400	315
VKF, VKX, VKN-32-90/9	1614	746	868	310	400	315
VKF, VKX, VKN-32-100/10-2	1684	816	868	310	400	325

Performance table

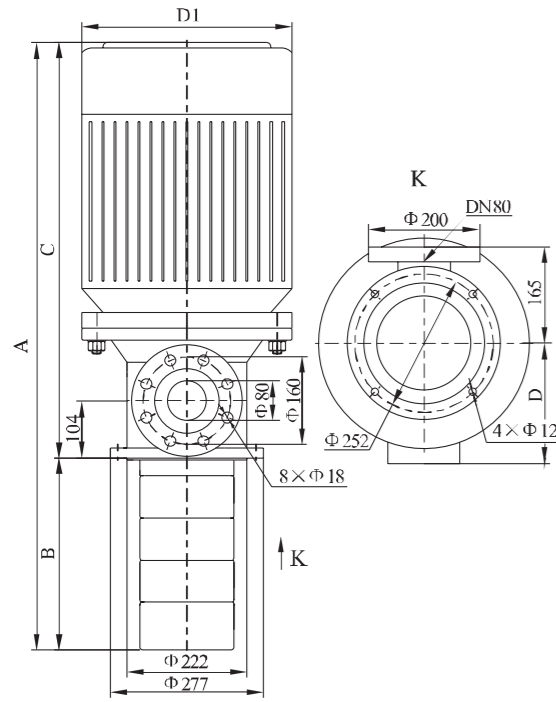
Model	Motor		Q (m³/h)	H (m)												
	(kW)	(hp)		20	24	28	32	36	40	44	48					
VKF, VKX, VKN-32-10/1-1	3.0	4	20	19	18	17	15	13	10	7						
VKF, VKX, VKN-32-10/1	4.0	5.5	26	25	24	23	21	19	17	14						
VKF, VKX, VKN-32-20/2-2	5.5	7.5	41	40	38	35	31	27	22	17						
VKF, VKX, VKN-32-20/2	7.5	10	52	50	48	45	41	37	33	27						
VKF, VKX, VKN-32-30/3-2	7.5	10	67	64	61	57	52	46	39	31						
VKF, VKX, VKN-32-30/3	11	15	78	75	71	67	62	56	50	40						
VKF, VKX, VKN-32-40/4-2	11	15	94	91	87	81	73	65	56	45						
VKF, VKX, VKN-32-40/4	15	20	104	101	96	91	83	75	66	55						
VKF, VKX, VKN-32-50/5-2	15	20	119	115	109	102	94	84	73	59						
VKF, VKX, VKN-32-50/5	18.5	25	130	125	119	112	104	94	83	69						
VKF, VKX, VKN-32-60/6-2	18.5	25	145	140	134	126	116	104	90	74						
VKF, VKX, VKN-32-60/6	18.5	25	155	150	144	136	126	114	100	81						
VKF, VKX, VKN-32-70/7-2	22	30	172	166	158	149	137	123	106	86						
VKF, VKX, VKN-32-70/7	22	30	182	176	168	159	148	133	118	97						
VKF, VKX, VKN-32-80/8-2	22	30	196	190	182	172	159	143	124	102						
VKF, VKX, VKN-32-80/8	30	40	208	201	192	181	167	152	132	111						
VKF, VKX, VKN-32-90/9-2	30	40	223	216	206	194	179	162	142	117						
VKF, VKX, VKN-32-90/9	30	40	234	226	216	204	189	172	152	127						
VKF, VKX, VKN-32-100/10-2	30	40	248	241	231	217	201	181	159	133						

Performance curve ISO9906:2012 Grade 3B



VKF, VKX, VKN42

Installation sketch



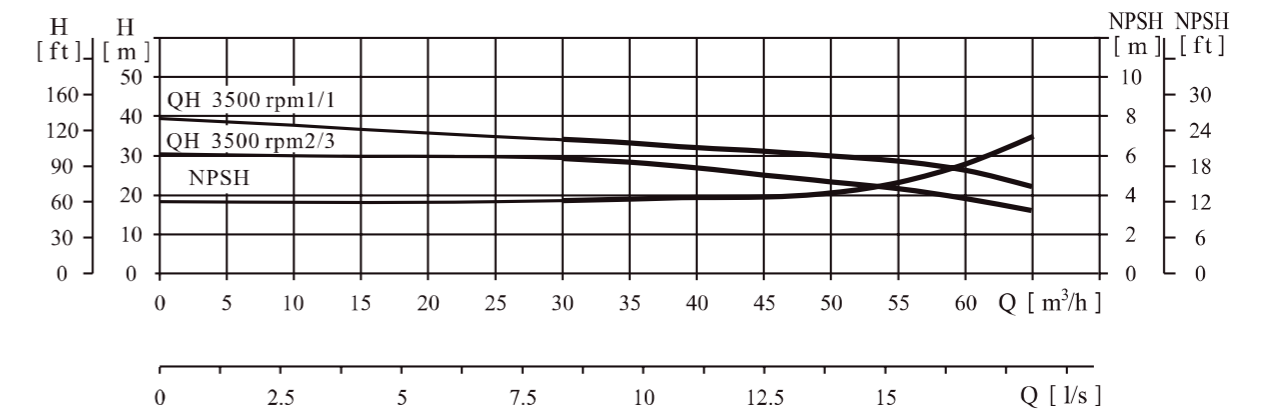
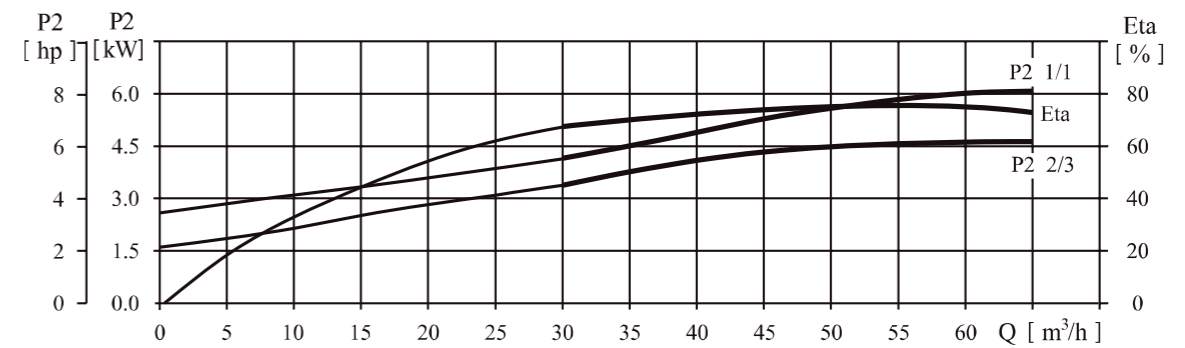
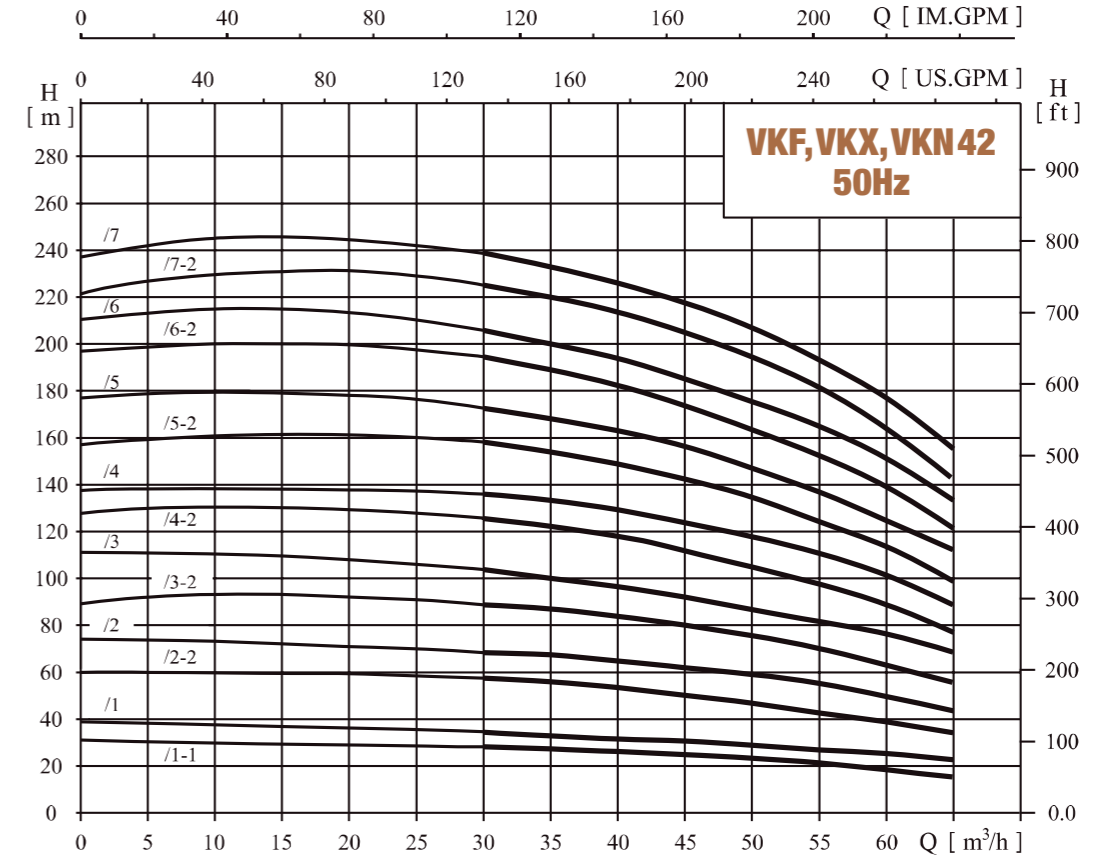
Size and weight

Model	Pump and motor dimensions					Weight (kg)
	A	B	C	D	D1	
VKF, VKX, VKN-42-10/1-1	767	198	569	210	260	83
VKF, VKX, VKN-42-10/1	767	198	569	210	260	88
VKF, VKX, VKN-42-20/2-2	1010	278	732	255	330	129
VKF, VKX, VKN-42-20/2	1010	278	732	255	330	162
VKF, VKX, VKN-42-30/3-2	1140	358	782	255	330	175
VKF, VKX, VKN-42-30/3	1140	358	782	255	330	175
VKF, VKX, VKN-42-40/4-2	1245	438	807	285	360	232
VKF, VKX, VKN-42-40/4	1320	438	882	310	400	310
VKF, VKX, VKN-42-50/5-2	1400	518	882	310	400	315
VKF, VKX, VKN-42-50/5	1400	518	882	310	400	315
VKF, VKX, VKN-42-60/6-2	1480	598	882	310	400	338
VKF, VKX, VKN-42-60/6	1480	598	882	310	400	338
VKF, VKX, VKN-42-70/7-2	1595	678	917	345	450	408
VKF, VKX, VKN-42-70/7	1595	678	917	345	450	408

Performance table

Model	Motor		Q (m³/h)	H (m)											
	(kW)	(hp)		30	35	40	42	45	50	55	60	65			
VKF, VKX, VKN-42-10/1-1	5.5	7.5	H (m)	29	28	27	26	25	23	21	19	16			
VKF, VKX, VKN-42-10/1	7.5	10		34	33	32	31.5	30	29	27	25	22			
VKF, VKX, VKN-42-20/2-2	11	15		57	55	53	52	49	46	43	38	33			
VKF, VKX, VKN-42-20/2	15	20		69	67	65	63	61	59	55	50	44			
VKF, VKX, VKN-42-30/3-2	18.5	25		90	88	85	83	80	75	72	63	55			
VKF, VKX, VKN-42-30/3	18.5	25		102	100	97	95	92	88	82	76	68			
VKF, VKX, VKN-42-40/4-2	22	30		125	121	118	115	112	105	98	89	78			
VKF, VKX, VKN-42-40/4	30	40		136	133	129	126	123	117	112	102	89			
VKF, VKX, VKN-42-50/5-2	30	40		159	154	149	146	142	134	121	115	99			
VKF, VKX, VKN-42-50/5	30	40		171	166	161	158	154	145	138	126	112			
VKF, VKX, VKN-42-60/6-2	37	50		194	188	182	178	173	163	155	139	122			
VKF, VKX, VKN-42-60/6	37	50		205	200	193	190	186	176	166	152	134			
VKF, VKX, VKN-42-70/7-2	45	60		227	220	213	210	205	193	182	165	144			
VKF, VKX, VKN-42-70/7	45	60		239	232	226	221	216	204	194	178	157			

Performance curve ISO9906:2012 Grade 3B



hydroo®

Be pumping partners

HYDROO
Pump Industries SL

Carrer La Banyeta Nova, 11
Polígon Industrial La Banyeta
17843 Palol de Revardit
Catalonia. Spain
Tel. +34 972 394 654
E-mail: info@hydroo.com
www.hydroo.com

201910-CTL-VKDROO60-EN
subject to amendments

